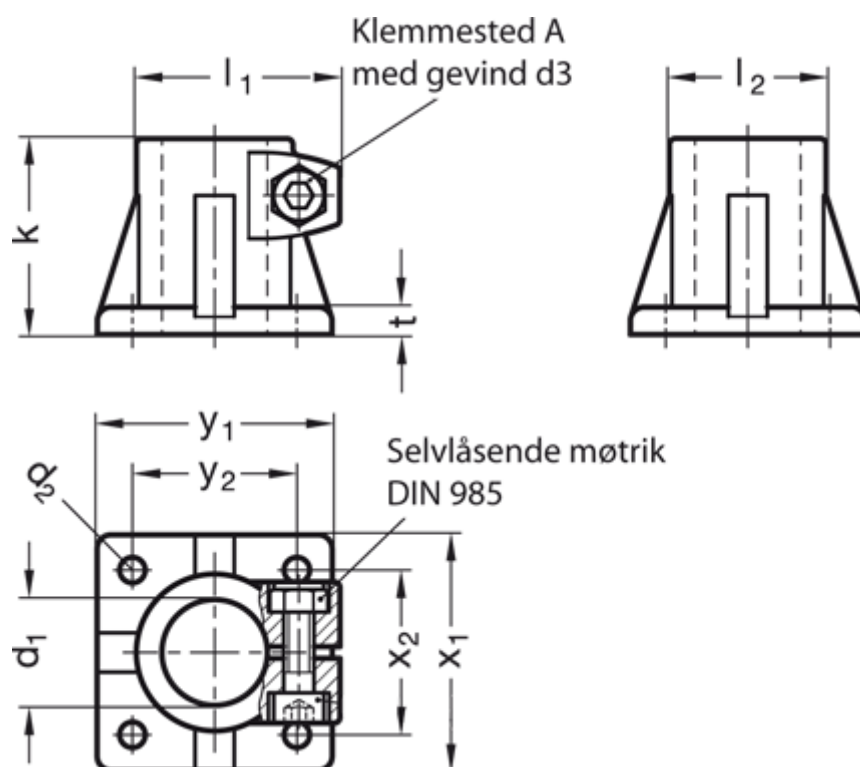


Article number: 20163B25502SW

Description: E+G

Base plate clamp GN163-B25-50-2-SW

## Measures



Adjustable clamp lever = GN 911-M8-32 have to be ordered separately

d1	= B25
d2	= 6.5
d3	= M 8
k	= 50
l1	= 52.0
l2	= 40
t	= 7

x1 = 60
x2 = 42
y1 = 60
y2 = 42